



PROPERTIES

BODY:

NICKEL-PLATED BRASS CW617N

THREADED BRASS:

NICKEL-PLATED THREADED BRASS CW614N

SEALS:

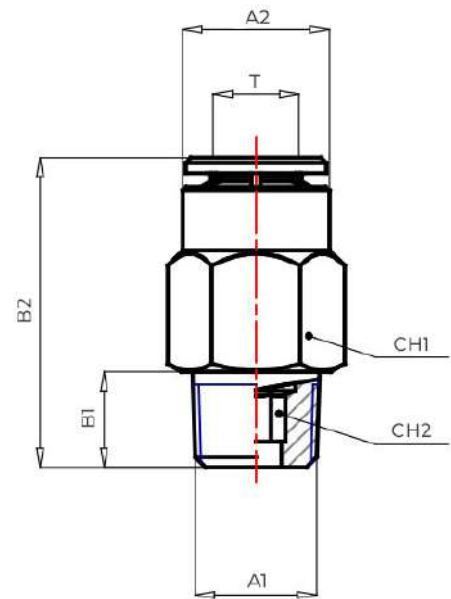
NBR

RECOMMENDED TUBINGS:

PA6 HIGH PRESSURE SERIES TUBES

ACCEPTABLE TOLERANCES ON THE TUBINGS.

0.07MM > 6.00MM.



Part Number	T	A1	A2	B1	B2	CH1	CH2
159356	4	R1/8	9.5	7.5	21	10	3
159357	4	M6x0.75	9.5	6	23	10	2.5
159358	4	M6x1	9.5	8	25	10	2.5
159359	4	M8x1	9.5	8	22.5	10	3
159360	4	M10x1	9.5	8	21	11	3
159361	6	R1/8	11.5	7.5	24	12	4
159362	6	R1/4	11.5	11	26	14	4
159363	6	M6x1	11.5	8	28	12	2.5
159364	6	M8x1	11.5	8	28	12	4
159365	6	M10x1	11.5	8	24.5	12	4